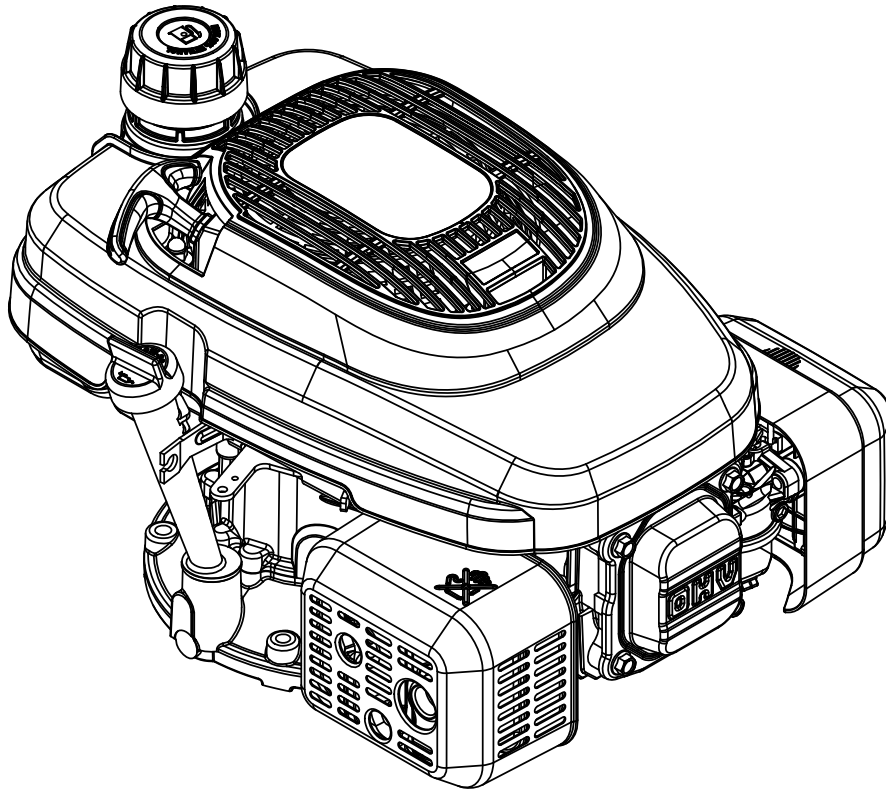


# XP200 196CC VERTICAL ENGINE IPL



	NAME	DATE
DRAWN	JHS	SEPT 2017
CHECKED	DH/OSW	SEPT 2017
ENG APPR.	OSW	SEPT 2017
MFG APPR.	-	-
Q.A. APPR.	-	-
SERVICE APPR.	DH	SEPT 2017

**PROPRIETARY AND CONFIDENTIAL**  
 THE INFORMATION CONTAINED IN THIS DRAWING IS THE SOLE PROPERTY OF FNA-GROUP. ANY REPRODUCTION IN PART OR AS A WHOLE WITHOUT THE WRITTEN PERMISSION OF FNA-GROUP IS PROHIBITED.

## FNA-GROUP

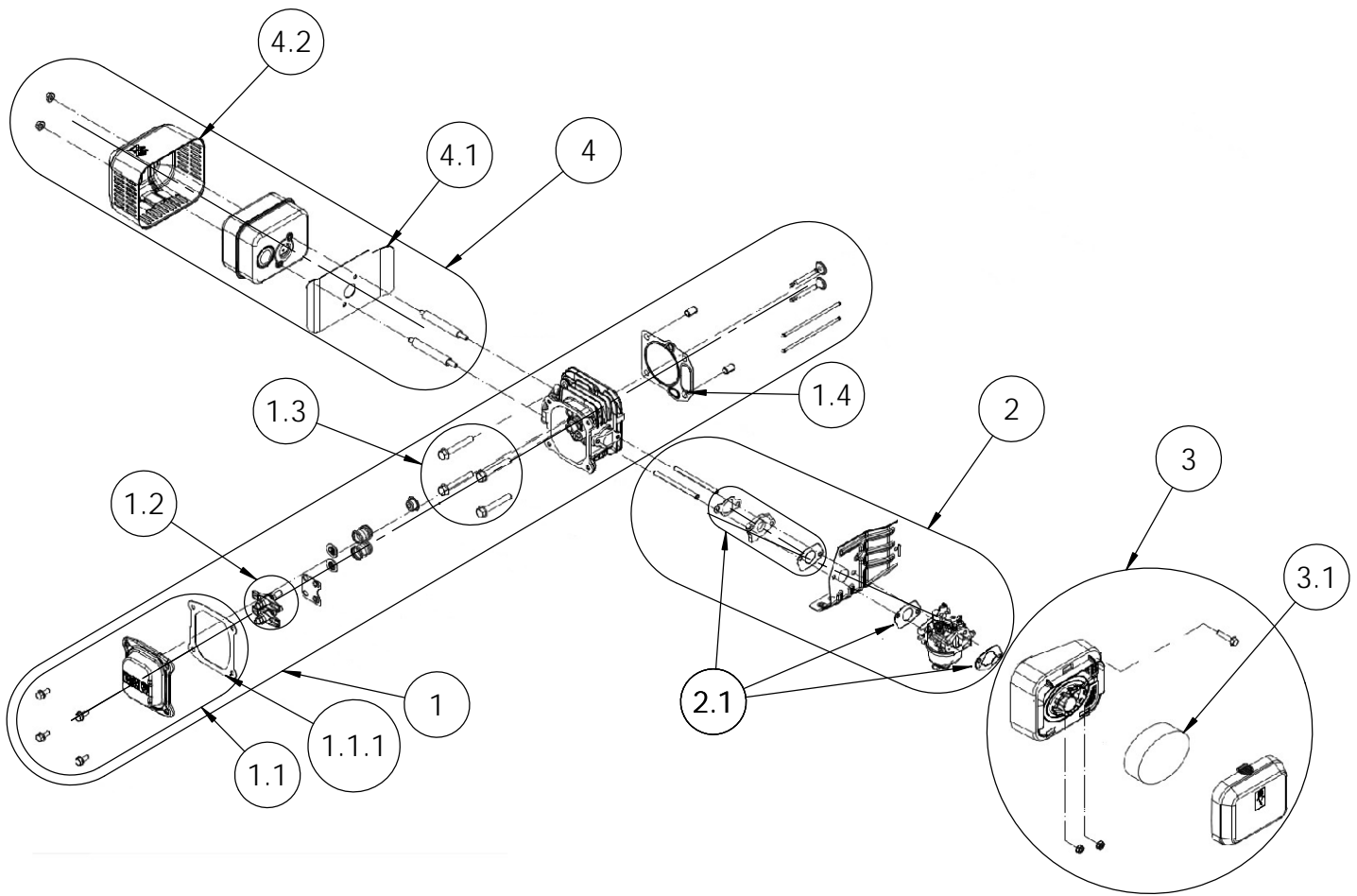
1265 INDUSTRIAL STREET, DECATUR, AR 72722

TITLE:

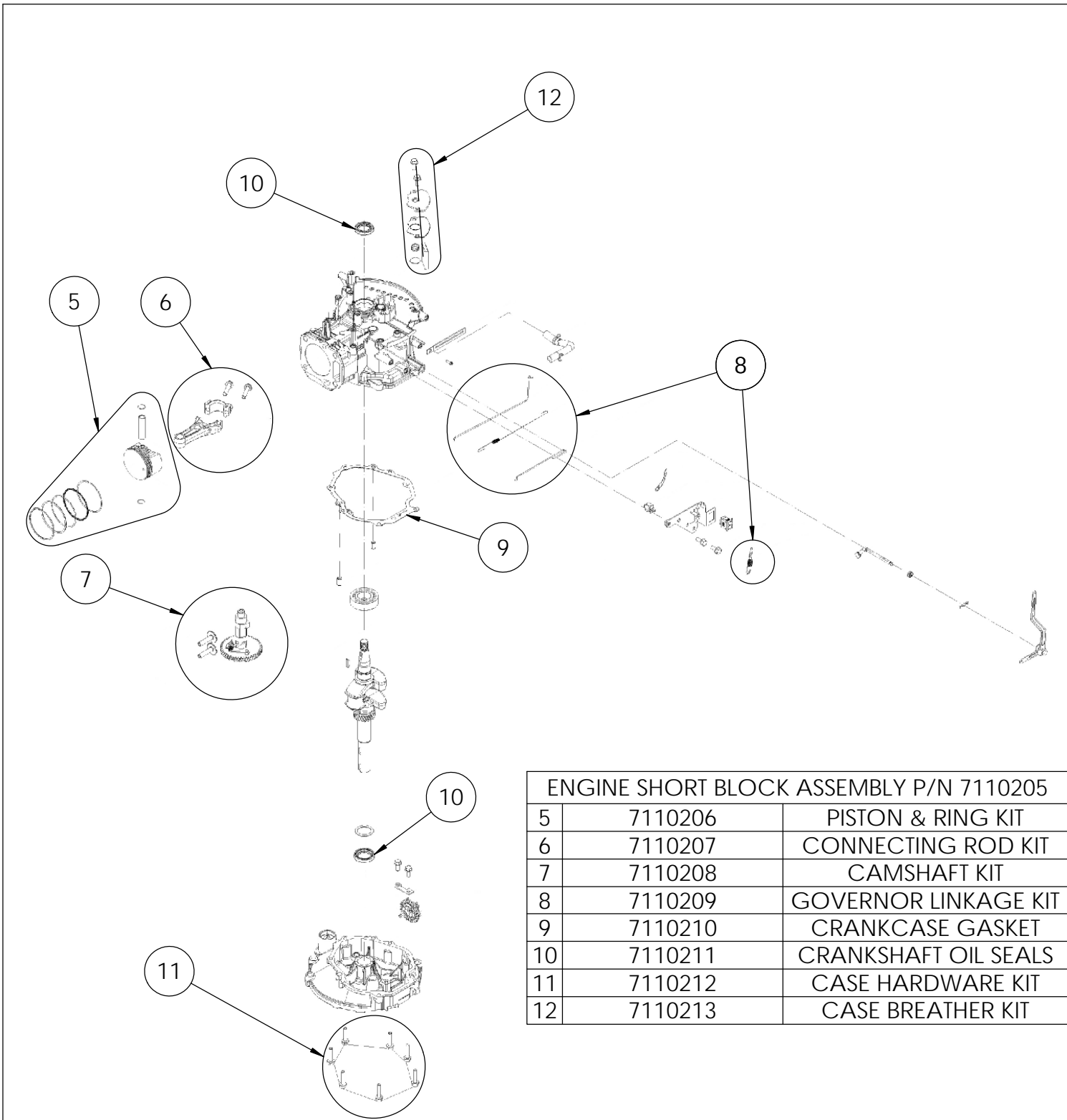
**XP200 196CC  
ENGINE IPL**

SIZE	DWG. NO.	REV.
<b>A</b>	<b>XP200A ENGINE IPL</b>	<b>A</b>
SCALE: N/A	ECN# DC17-0281	SHEET 1 OF 4

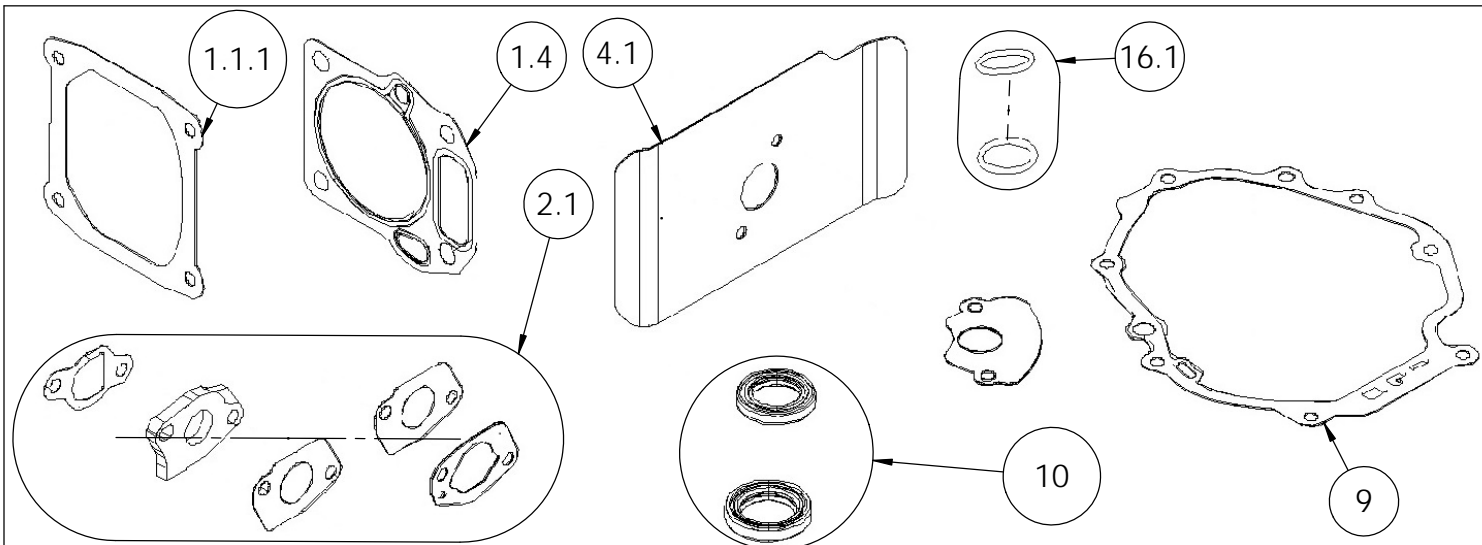
Version: -



1	CYLINDER HEAD KIT P/N 7110191	
1.1	7110192	ROCKER COVER KIT
1.1.1	7110193	ROCKER COVER GASKET
1.2	7110194	ROCKER KIT
1.3	7110195	HEAD BOLT SET
1.4	7110196	HEAD GASKET
2	CARBURETOR KIT P/N 7110197	
2.1	7110199	INTAKE GASKET SET
	7110198	HIGH ALTITUDE KIT
3	AIR FILTER KIT P/N 7110200	
3.1	7110201	FILTER ELEMENT
4	MUFFLER KIT P/N 7110202	
4.1	7110203	EXHAUST GASKET
4.2	7110204	MUFFLER COVER



ENGINE SHORT BLOCK ASSEMBLY P/N 7110205		
5	7110206	PISTON & RING KIT
6	7110207	CONNECTING ROD KIT
7	7110208	CAMSHAFT KIT
8	7110209	GOVERNOR LINKAGE KIT
9	7110210	CRANKCASE GASKET
10	7110211	CRANKSHAFT OIL SEALS
11	7110212	CASE HARDWARE KIT
12	7110213	CASE BREATHER KIT



COMPLETE ENGINE GASKET KIT P/N 7110XXX		
1.1.1	7110193	ROCKER COVER GASKET
1.4	7110196	HEAD GASKET
2.1	7110199	INTAKE GASKET SET
4.1	7110203	EXHAUST GASKET
9	7110210	CRANKCASE GASKET
10	7110211	CRANKSHAFT OIL SEALS
16.1	7110222	DIPSTICK ORING SET

13	ENGINE SHROUD KIT P/N 7110214	
13.1	7110215	RECOIL STARTER
14	FLYWHEEL/IGNITION KIT P/N 7110216	
14.1	7110217	IGNITION COIL KIT
14.1.1	7110218	SPARK PLUG
15	FUEL TANK KIT P/N 7110219	
15.1	7110220	FUEL CAP
16	DIPSTICK KIT P/N 7110221	
16.1	7110222	DIPSTICK ORINGS
17	OIL DRAIN PLUG KIT P/N 7110223	

